

Yale®

5 through
50 ton capacity

Global King Double Girder Trolleys

Price and Specification Book

Prices effective October 4, 2004

This price list supersedes all pricing information of earlier dates



Specification Information

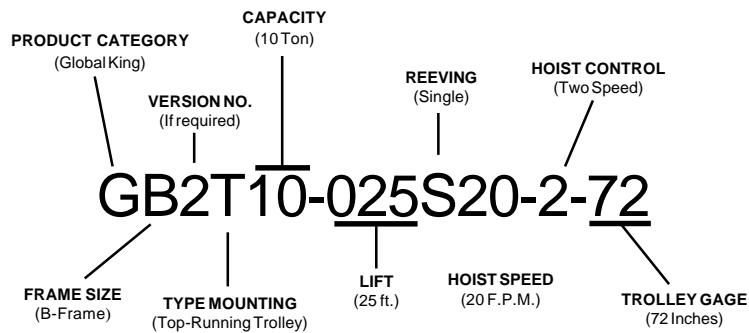
This Yale bulletin contains specifications and clearances for the popular Yale Double Girder Trolleys used by crane builders throughout the world. These trolleys are available in a wide variety of styles and capacities to meet the exact requirements of the crane application. Select the trolley to meet the criteria of your application. The product numbering system is designed to denote the exact specifications of each unit.

Trolley Numbering System

The trolley numbering system is designed to insure you get the correct combination of features you are looking for. Each digit or letter has a particular designation which refers to a specific size, feature or function.

To make doubly sure you receive the product you need, when ordering we ask that you fill out a part of the product catalog number specifying some features.

10-tonne Global King Trolley



PRODUCT	PAGE NO.
General Trolley Specifications	3
Global King Trolleys	
(Single Reeved / 5-15 Ton)	4-6
Options Pricing	7-8

<u>Feature</u>	<u>Description</u>
Tons Capacity	5, 7.5 & 10 (metric tonnes)
Service Class	CMAA - Class D
Reeved	Single
Rope Guide	Optional
Hoist Gearing	Helical spur in oil bath
Hoist Load Brake	None
Hoist Motor	Two speed with TAS 6:1 ratio 30 minute duty Class F insulation TEFC
Hoist Motor Brake	DC disc
Hoist Limit Switch	Block upper
Hoist Control	"Magnetic contactor 2-speed standard"
Trolley Gearing	Worm
Trolley Motor	Two speed with TAS 3:1 ratio 30 minute duty Class F insulation TENV
Trolley Brake	Optional
Trolley Control	"Magnetic contactor 2-speed standard"
Wheels	"6" double flanged steel @ 400 - 450 BHN
Bumpers	Standard
Bearings	Anti-friciton throughout
Motor TAS	Standard
Control Enclosure	NEMA 4/12

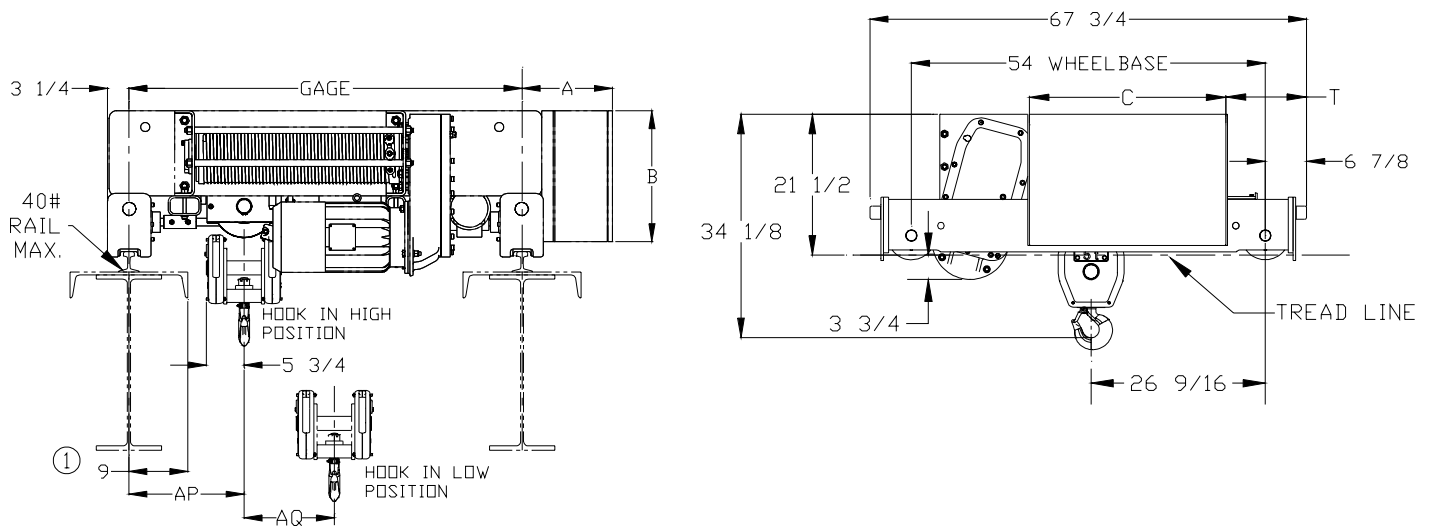
Note: Global King hoist/trolley panel is shipped mounted and wired as standard.

Note: Prices include control panel mounting and wiring.
Add \$252 to pull all leads to a junction box and package and ship panel loose.

5 Tonne / Single Reeved

Catalog Number	Max Lift (ft)	Gage (in)	Hoist Speed (fpm)	Hoist Motor	Rope No. & Dia. (in)	Traverse Speed (fpm)	Wheel Dia. (in)	Traverse Motor	Weight (lbs)	Max. Wheel Load (lbs)	List Price
GB2T05-025S20-2-60	25	60	20/3.3	7.5/1.25	4-3/8	60/20	6	.5/.17	1945	4447	8491
GB2T05-025S20-2-66		66							1970	4093	8573
GB2T05-025S20-2-72		72							1995	3799	8654
GB2T05-025S20-2-78		78							2020	3551	8736
GB2T05-040S20-2-78	40	78							2077	4640	9168
GB2T05-040S20-2-84		84							2102	4352	9250
GB2T05-040S20-2-90		90							2127	4104	9331
GB2T05-040S20-2-96		96							2152	3881	9413

Dimensional Drawings (In Inches) for the 5 tonne trolleys



Max. Lift	Gage	AP	AQ
25	60	17-9/16	6
	66	23-9/16	
	72	29-9/16	
	78	35-9/16	
40	78	20-11/16	9-11/16
	84	26-11/16	
	90	32-11/16	
	96	38-11/16	

Control Panel Dimensions				
Volts	A	B	C	T
460	11-13/16	16	20	22-7/8
230 575	13-13/16	20	30	12-7/8

Note:

① 8 3/4" maximum based on 60" gage - increases as gage increases
 40# ASCE trolley rail is maximum

Note: Prices include control panel mounting and wiring.
Add \$252 to pull all leads to a junction box and package and ship panel loose.

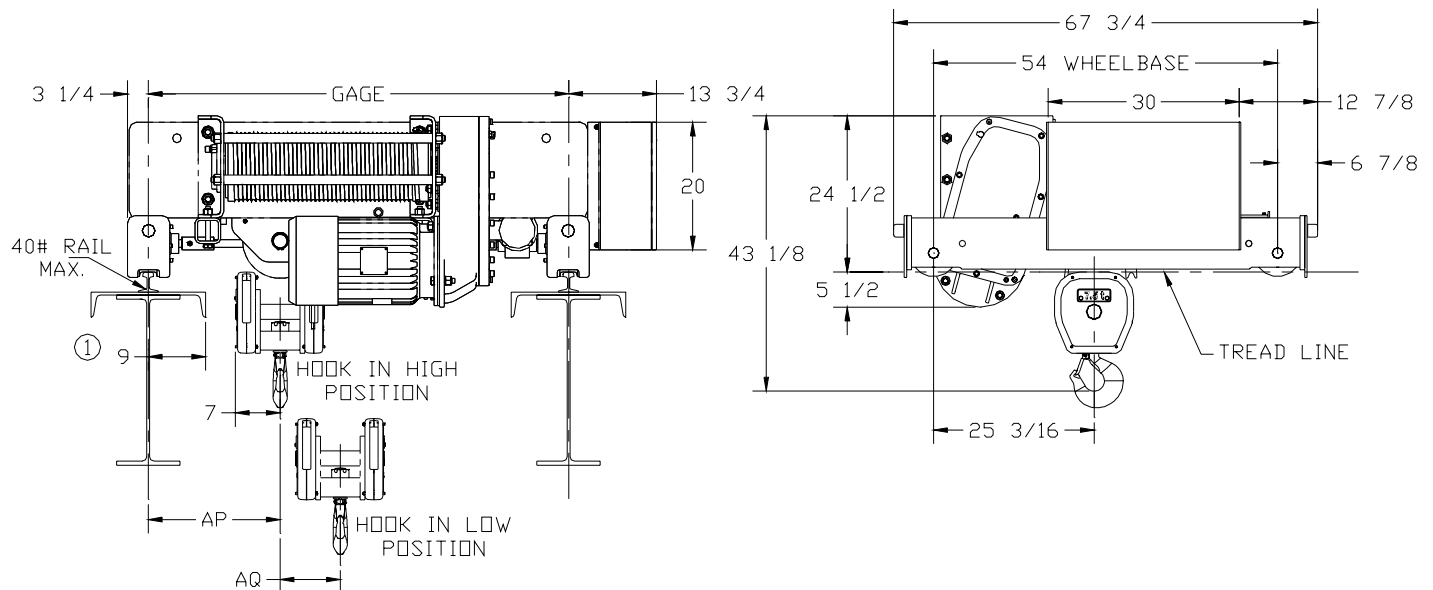
7½ Tonne / Single Reeved

Catalog Number	Max Lift (ft)	Gage (in)	Hoist Speed (fpm)	Hoist Motor	Rope No. & Dia. (in)	Traverse Speed (fpm)	Wheel Dia. (in)	Traverse Motor	Weight (lbs)	Max. Wheel Load (lbs)	List Price
GC2T07-025S24-2-66	25	66	24/4	15/2.5	4-1/2	60/20	6	.5/17	3040	6941	12121
GC2T07-025S24-2-72		72							3085	6437	12214
GC2T07-025S24-2-78		78							3130	6012	12307
GC2T07-025S24-2-84		84							3175	5650	12400
GC2T07-040S24-2-84	40	84							3200	7126	12700
GC2T07-040S24-2-90		90							3245	6716	12782
GC2T07-040S24-2-96		96							3290	6358	12864

10 Tonne / Single Reeved

Catalog Number	Max Lift (ft)	Gage (in)	Hoist Speed (fpm)	Hoist Motor	Rope No. & Dia. (in)	Traverse Speed (fpm)	Wheel Dia. (in)	Traverse Motor	Weight (lbs)	Max. Wheel Load (lbs)	List Price
GC2T10-025S20-2-66	25	66	20/3.3	15/2.5	4-1/2	60/20	6	.75/25	3040	9001	12121
GC2T10-025S20-2-72		72							3085	8325	12214
GC2T10-025S20-2-78		78							3130	7755	12307
GC2T10-025S20-2-84		84							3175	7269	12400
GC2T10-040S20-2-84	40	84							3200	9235	12700
GC2T10-040S20-2-90		90							3245	8684	12782
GC2T10-040S20-2-96		96							3290	8203	12864

Dimensional Drawings (In Inches) for the 7½ and 10 tonne trolleys



Max. Lift	Gage	AP	AQ
25	66	19-3/4	6
	72	25-3/4	
	78	31-3/4	
	84	37-3/4	
40	84	23-3/4	9-1/2
	90	29-3/4	
	96	35-3/4	

Note:

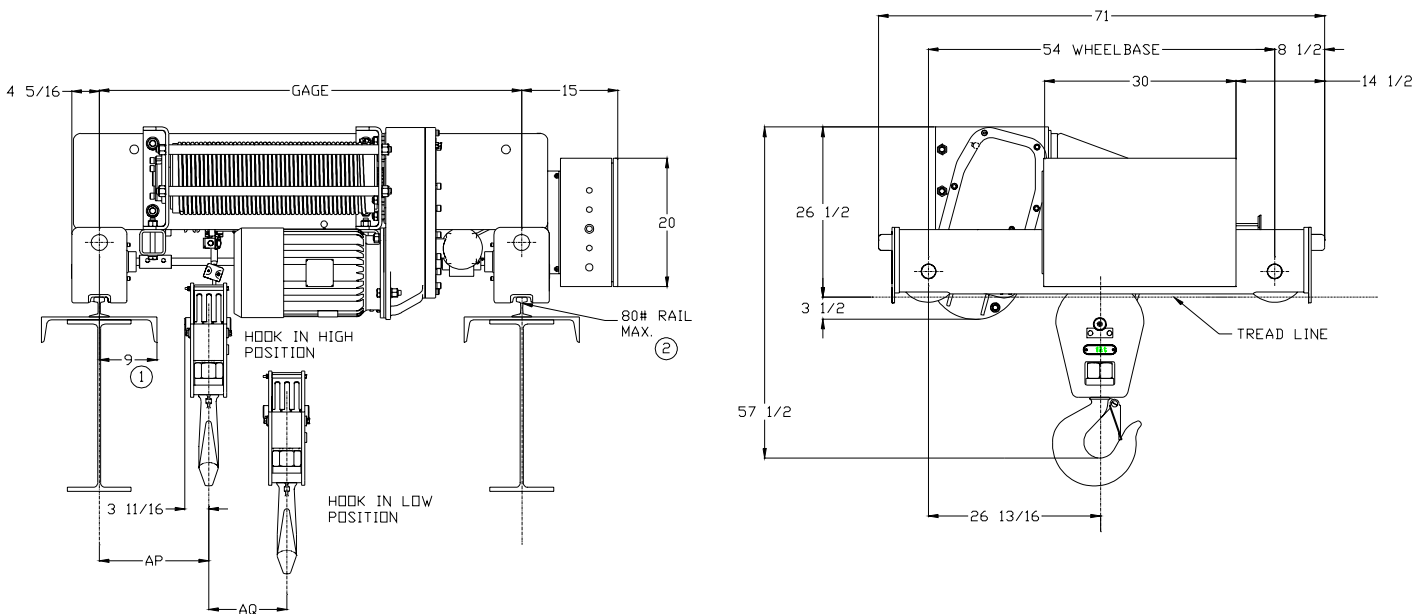
- ① 9" maximum based on 66" gage - increases as gage increases
- 40# ASCE trolley rail is maximum

Note: Prices include control panel mounting and wiring.
Add \$252 to pull all leads to a junction box and package and ship panel loose.

15 Tonne / Single Reeved

Catalog Number	Max Lift (ft)	Gage (in)	Hoist Speed (fpm)	Hoist Motor	Rope No. & Dia. (in)	Traverse Speed (fpm)	Wheel Dia. (in)	Traverse Motor	Weight (lbs)	Max. Wheel Load (lbs)	List Price
GC2T15-016S15-2-66	16	66	15/2.5	15/2.5	6-1/2	60/20	8	1/33	3215	13155	16676
GC2T15-016S15-2-72		72							3265	12138	16718
GC2T15-016S15-2-78		78							3315	11279	16760
GC2T15-026S15-2-84	26	84							3365	13325	17221
GC2T15-026S15-2-90		90							3415	12505	17263
GC2T15-026S15-2-96		96							3465	11789	17306

Dimensional Drawings (In Inches) for the 15 tonne trolley



Max. Lift	Gage	AP	AQ
16	66	17	4
	72	23	
	78	29	
26	84	21	6-3/8
	90	27	
	96	33	

Note:

- ① 9" maximum based on 66" gage - increases as gage increases
- 80# ASCE trolley rail is maximum

Options Pricing

Hoist Options:

Rope Guide	Add	\$131
Upper & lower geared control circuit limit switch	Add	197
Add mainline contactor	Add	393
Over capacity lift limit switch	Add	328
575/3/60 hoist & trolley motors and controls (2-speed)	Add	NC
Derating of hoist capacity (new capacity plates ½ - 9½ tonnes in ½ tonne increments)	Add	164
Eliminate hoist & trolley controls and enclosure (at leads wired to a junction box and leave brake control module)		
5-Tonne	Deduct	-(453)
7½ & 10 Tonne	Deduct	-(546)

NEMA 4X Control Enclosure

Fiberglass enclosure	Add	582
Stainless steel enclosure	Add	848

Bullard Hook Adder

For 5 ton hoist	Add	759
For the 7½ or 10 ton hoist	Add	2047
Adds to the headroom approximately 3.25" and will increase leadtime. Consult factory for specific details		

Add for Stainless Steel Wire Rope P.O.A.

5-ton (US tons) High Speed Hoist Option

For 5-ton heavy service applications requiring a fast hoisting speed, the C-frame hoist is available 2-part single reeved with a hoisting speed of 40/6.6 fpm. With exception of the headroom, the weights and dimensions are the same as for the 10 ton "C" frame Global King Hoist.

Catalog Number	Max Lift (ft)	Gage (in)	Hoist Speed (fpm)	Hoist Motor	Rope No. & Dia. (in)	Approx. Headroom (in)	Traverse Speed (fpm)	Wheel Dia. (in)	Traverse Motor	Wt. (lbs)	List Price
GC2D05-050S40-2-66	50	66	40/6.6	15/2.5	2-1/2	49-1/8	60/20	6	.75/.25	3040	12449
GC2D05-050S40-2-72		72								3085	12537
GC2D05-050S40-2-78		78								3130	12626
GC2D05-050S40-2-84		84								3175	12714

Note: Lower block sheave pitch diameter will be 10-1/2".

The upper/lower geared limit switch will be a 4-element switch with an upper slow-down & stop and a lower slow-down & stop position.

Due to the hoisting speed the live load impact factor will be 20% which may affect your girder selection.

Due to the fast hoisting speed this 5-ton hoist only has a rope guide as standard.

Global King Spare Parts Kit

Applicable only when purchased with a Global King Hoist

Lift	5 tonne	7½ tonne	10 tonne	15 tonne
16'	X	X	X	1493
25'	1080	1493	1493	X
26'	X	X	X	1635
40'	1178	1635	1635	X
50'	1493	X	X	X

Kit includes the following hoist motion only parts:

Brake control module	Accelerating contactor
Brake disc	Transformer
Brake hardware kit	Wire rope assembly
Reversing contactor	

Pushbutton Stations

For pushbutton station (shipped loose)

(Pendant Stations Not Included with Base Hoist Price)

List prices are arranged by the various button combinations available per hoist lift

Price includes NEMA 4 pendant station with the button quantity listed, control and strain reliever cable for the hoist lift selected. The length of the cables will be approximately equal to the lift less 2½ feet.

The pendant will ship loose for field installation by others. Please give desired configuration with order.

Number of Buttons		On-Off	New Global Adders List Price	
1 Speed	2 Speed		25'	40'
0	4	0	257	295
		2	311	362
	6	0	293	352
		2	344	402
2	2	0	218	277
		2	290	336
	4	0	277	335
		2	329	387
4	2	0	252	303
		2	304	354

Trolley Options:

Add soft-start to standard 2 speed trolley	Add	\$313
Single speed trolley control without soft-start	Deduct	-(55)
Single speed trolley control with soft-start	Add	242
Variable frequency trolley control		
Electromotive P3 for 230 or 460/3/60	Add	853
Electromotive G+ for 575/3/60	Add	2132
Trolley brake, AC motor mounted disc type rated at 50% torque	Add	354
Slower trolley speeds (standard is 60/20 fpm)		
For 45/15 fpm		NC

Yale[®] HOISTS



414 West Broadway Ave.
P.O. Box 769
Muskegon, Michigan 49443-0769
(800) 742-9269 Phone
(800) 742-9270 Fax